

# Stainless steel rotary vane pumps PO 70-400 series



Find out more

The rotary vane pumps, manufactured by Fluid-o-Tech® and sold worldwide under the trademark Rotoflow®, are volumetric pumps designed for pumping water and aggressive liquids with low flow at high pressure.

## Technical features and manufacturing characteristics

The housing and the rotor are in stainless steel AISI 303, while the pumping chamber and the vanes are in carbon graphite.

Inlet and outlet ports are 3/8" GAS or NPT threaded.

A built-in adjustable relief valve to protect the pump and the system from unexpected pressure spikes is also available upon request.

The pump can be connected to direct coupling motors with a stainless steel clamp or to M71 and M80 UNELMEC or NEMA 56C frame motors with the Fluid-o-Tech® coupling and adapter set. Maximum operative temperature: 70 °C (158 F).

Available upon request:

- Viton®/EPDM seals
- Built-in relief valve
- Flange mount

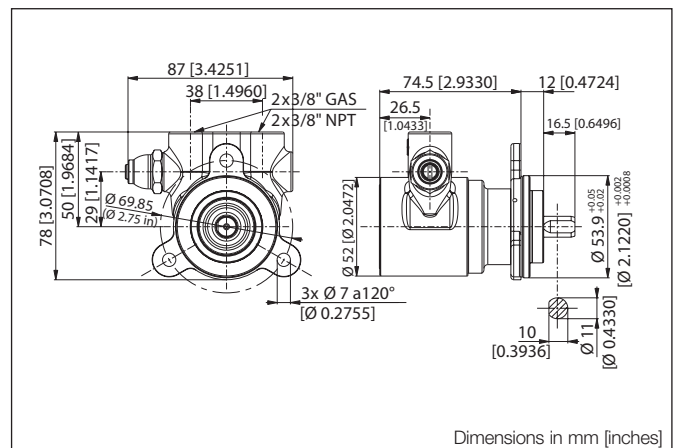
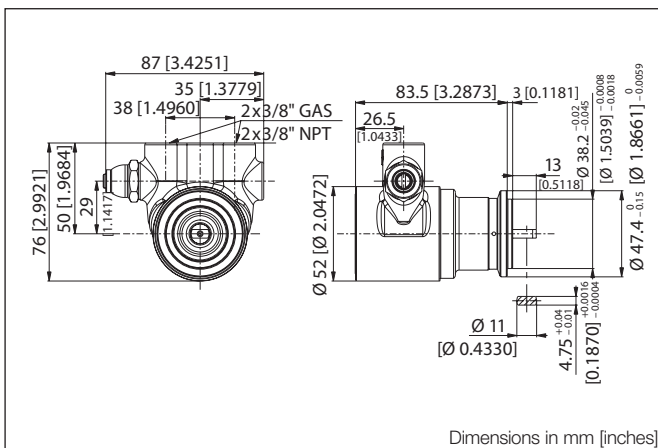


## MAIN APPLICATIONS

- Soda circulation
- Booster systems
- Cooling systems
- Water treatment

## TECHNICAL INFORMATION

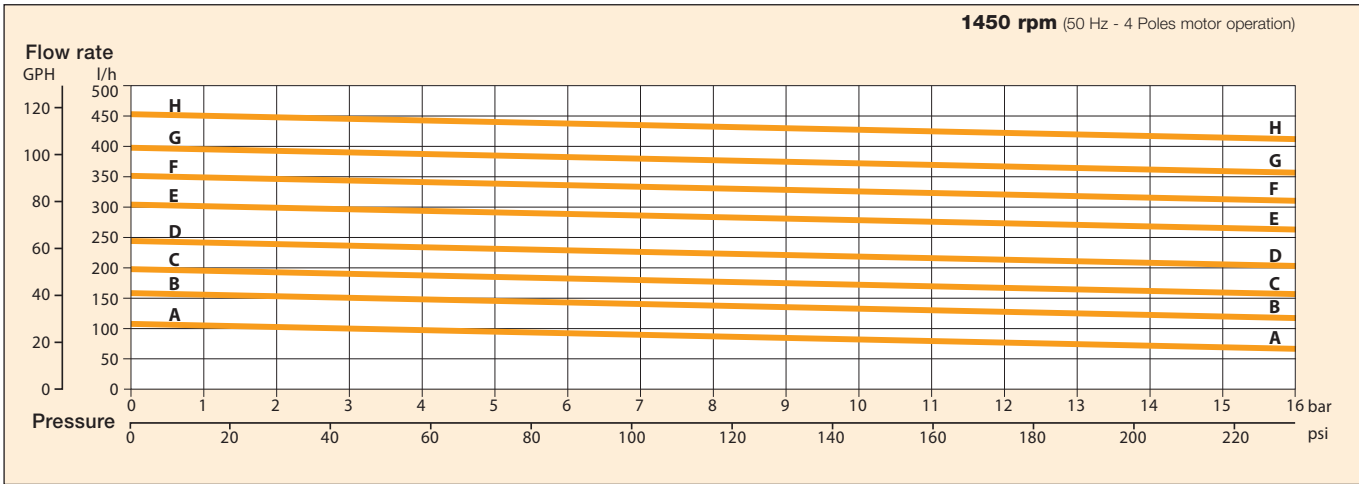
Pump housing material	Stainless steel	Max static pressure	20 bar/290 psi
Pumping chamber	Carbon graphite	Pump weight	Clamp mount 1.2 kg (2.7 lb)
Ports	3/8" GAS or NPT		Flange mount 1.5 kg (3.3 lb)
Speed limit	1725 rpm		



# Stainless steel rotary vane pumps PO 70-400 series

Model	PO/PA/PW 0710	0711	0711F	110	111	111F	1510	01511	1511F	210	211	211F				
Figure		A-A				B-B				C-C				D-D		
Mount	Clamp	Clamp	Flange	Clamp	Clamp	Flange	Clamp	Clamp	Flange	Clamp	Clamp	Flange				
Relief valve	NO	YES	YES	NO	YES	YES	NO	YES	YES	NO	YES	YES				

Model	PO/PA/PW 2510	2511	2511F	310	311	311F	3510	3511	3511F	410	411	411F				
Figure		E-E				F-F				G-G				H-H		
Mount	Clamp	Clamp	Flange	Clamp	Clamp	Flange	Clamp	Clamp	Flange	Clamp	Clamp	Flange				
Relief valve	NO	YES	YES	NO	YES	YES	NO	YES	YES	NO	YES	YES				



Model	PO/PA/PW 0710	0711	0711F	110	111	111F	1510	01511	1511F	210	211	211F				
Figure		A'-A'				B'-B'				C'-C'				D'-D'		
Mount	Clamp	Clamp	Flange	Clamp	Clamp	Flange	Clamp	Clamp	Flange	Clamp	Clamp	Flange				
Relief valve	NO	YES	YES	NO	YES	YES	NO	YES	YES	NO	YES	YES				

Model	PO/PA/PW 2510	2511	2511F	310	311	311F	3510	3511	3511F	410	411	411F				
Figure		E'-E'				F'-F'				G'-G'				H'-H'		
Mount	Clamp	Clamp	Flange	Clamp	Clamp	Flange	Clamp	Clamp	Flange	Clamp	Clamp	Flange				
Relief valve	NO	YES	YES	NO	YES	YES	NO	YES	YES	NO	YES	YES				



Fluid-o-Tech reserves the right to alter the specifications indicated in this catalogue at any time and without prior notice.

**Fluid-o-Tech srl**  
Via Leonardo da Vinci, 40  
20094 Corsico, Milano, Italy  
Tel. +39 02 9995 01  
Fax +39 02 9995 0999  
info@fluidotech.it

**Fluid-o-Tech Int'l Inc.**  
161 Atwater St.,  
06479 Plantsville CT (USA)  
Tel. +1 (860) 276 9270  
Fax +1 (860) 620 0193  
info@fluid-o-tech.com

**Fluid-o-Tech Int'l Inc. Japan**  
203, 2-17-19, Ebara, Shinagawa  
Tokyo 142-0063, Japan  
Tel. +81 (0) (3) 3783 9660  
Fax +81 (0) (3) 3783 9661  
k.kato@fluidotech.com

**Fluid-o-Tech Asia (Beijing) Co., Ltd**  
Jingwei Industrial Zone,  
Beifang Huairou, Beijing, 101400, PRC  
Tel. +86 (0) (10) 6168 4650  
Fax +86 (0) (10) 6168 4651  
info@fluidotech-asia.com