

Fluid-o-Tech brass rotary vane pumps, clamp mount



The rotary vane pumps, manufactured by Fluid-o-Tech and sold worldwide under the trademark Rotoflow, are volumetric pumps designed for pumping water and moderate aggressive liquids with low flow at high pressure.

Technical features and manufacturing characteristics

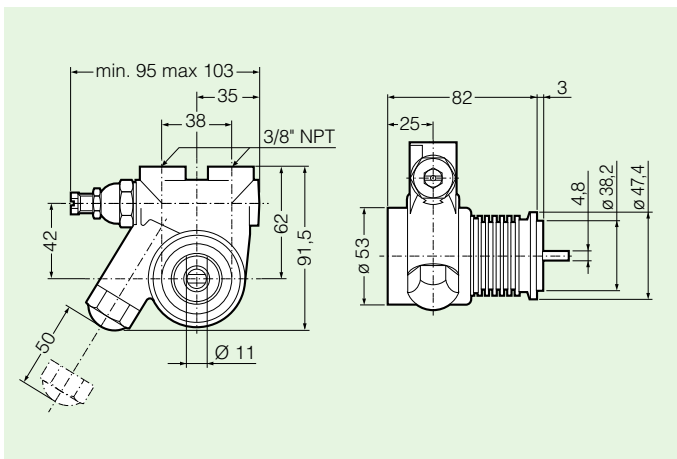
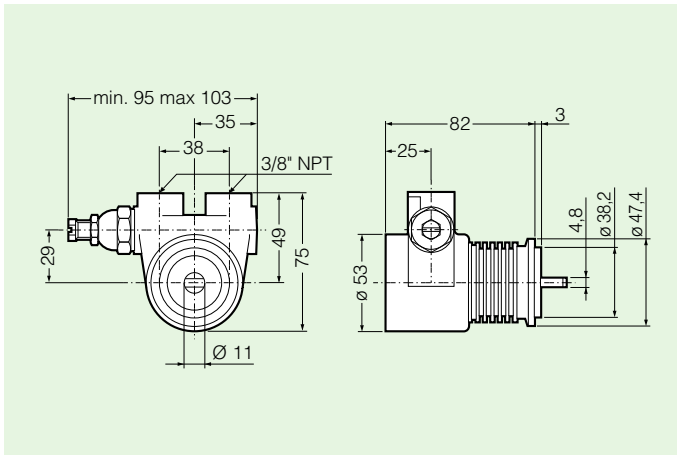
The rotary vane pump is brass made with a stainless steel AISI 303 rotor, while the pumping chamber and the vanes are in graphitic carbon. The inlet and outlet ports are 3/8" NPT threaded.

The pump is equipped with a built-in by-pass; a special balanced by-pass (able to maintain the set pressure for variations of the inlet pressure) is available upon request. A built-in mechanical filter with a 71 mesh screen is available on all models.

All models, upon request, are available:

- with special clearances (suffix - H) for temperature higher than 70 °C (158 °F) max 90 °C (194 °F)
- with Viton/EPDM seals (suffix - V/E) for special fluids
- NSF listed pumps for potable water

In this case the prefix for each model is PA instead of PO.



Main applications

- Beverage vending machines
- Post-mix drink dispensers
- Espresso coffee machines
- Cooling systems
- Reverse osmosis
- Ultra-filtration



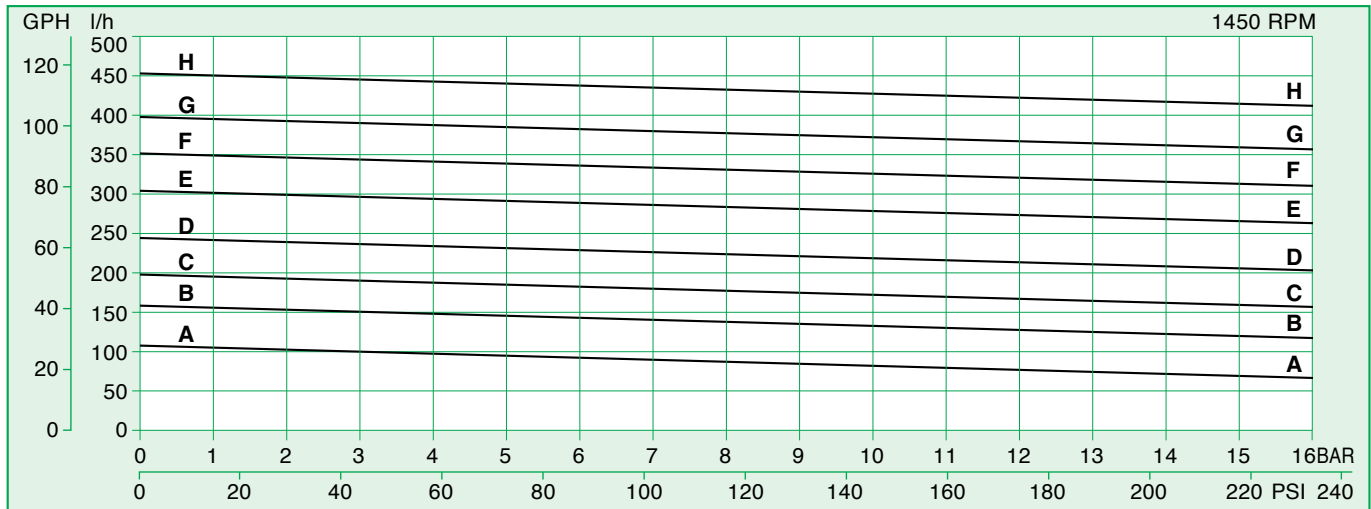
Fluid-o-Tech srl
20143 Milano - Via Morimondo, 23
Tel. (39) 02 8917071 - Fax (39) 02 89170799
<http://www.fluidotech.it>

Fluid-o-Tech International, Inc
161 Atwater St., Plantsville, CT 06479
Tel. (860) 276-9270 - Fax (860) 620-0193

Fluid-o-Tech brass rotary vane pumps, clamp mount

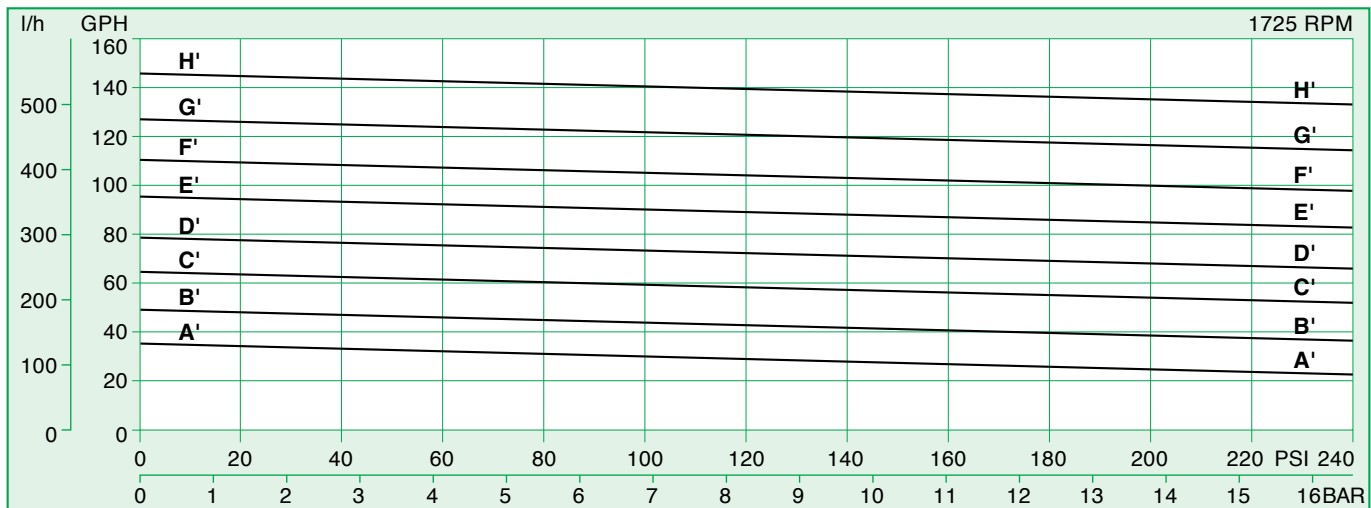
MODEL PO/PA	070	071	074	071x	074x	100	101	104	101x	104x	1500	1501	1504	1501x	1504x	200	201	204	201x	204x
Flow (l/h) at 2 BAR	100					150					190					236				
Flow (l/h) at 7 BAR	89					139					179					225				
Flow (l/h) at 14 BAR	70					120					160					206				
Figure	A-A					B-B					C-C					D-D				
By-Pass	NO	STD	BAL	STD	BAL	NO	STD	BAL	STD	BAL	NO	STD	BAL	STD	BAL	NO	STD	BAL	STD	BAL
Built in filter	NO			YES		NO			YES		NO			YES		NO			YES	
MODEL PO/PA	2500	2501	2504	2501x	2504x	300	301	304	301x	304x	3500	3501	3504	3501x	3504x	400	401	404	401x	404x
Flow (l/h) at 2 BAR	295					345					390					445				
Flow (l/h) at 7 BAR	284					334					379					434				
Flow (l/h) at 14 BAR	265					315					360					415				
Figure	E-E					F-F					G-G					H-H				

STD = STANDARD BAL = BALANCED



MODEL PO/PA	070	071	074	071x	074x	100	101	104	101x	104x	1500	1501	1504	1501x	1504x	200	201	204	201x	204x
Flow (GPH) at 20 PSI	34					49					64					76				
Flow (GPH) at 100 PSI	30					45					60					74				
Flow (GPH) at 200 PSI	24					39					54					88				
Figure	A'-A'					B'-B'					C'-C'					D'-D'				
By-Pass	NO	STD	BAL	STD	BAL	NO	STD	BAL	STD	BAL	NO	STD	BAL	STD	BAL	NO	STD	BAL	STD	BAL
Built in filter	NO			YES		NO			YES		NO			YES		NO			YES	
MODEL PO/PA	2500	2501	2504	2501x	2504x	300	301	304	301x	304x	3500	3501	3504	3501x	3504x	400	401	404	401x	404x
Flow (GPH) at 20 PSI	95					111					127					144				
Flow (GPH) at 100 PSI	91					107					123					140				
Flow (GPH) at 200 PSI	85					101					117					134				
Figure	E'-E'					F'-F'					G'-G'					H'-H'				

STD = STANDARD BAL = BALANCED



- Pump weight: 1,1 kg / 2,5 Lbs (clamp mount) 1,2 kg / 2,7 Lbs (flange mount) - Characteristics at constant motor speed, water at 20°C / 68 °F and by-pass blocked



Fluid-o-Tech srl

20143 Milano - Via Morimondo, 23 - Tel. (39) 02 8917071 - Fax (39) 02 89170799 - <http://www.fluidotech.it>

PO - B - 06 99 ED